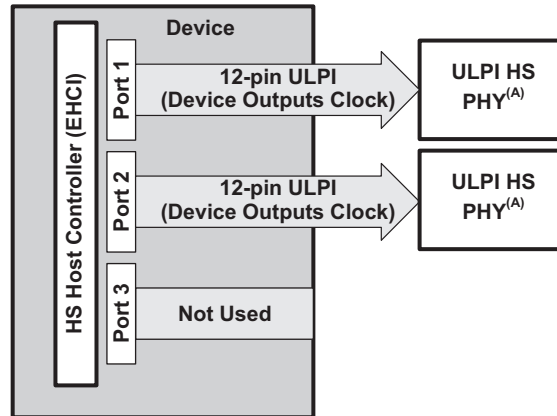


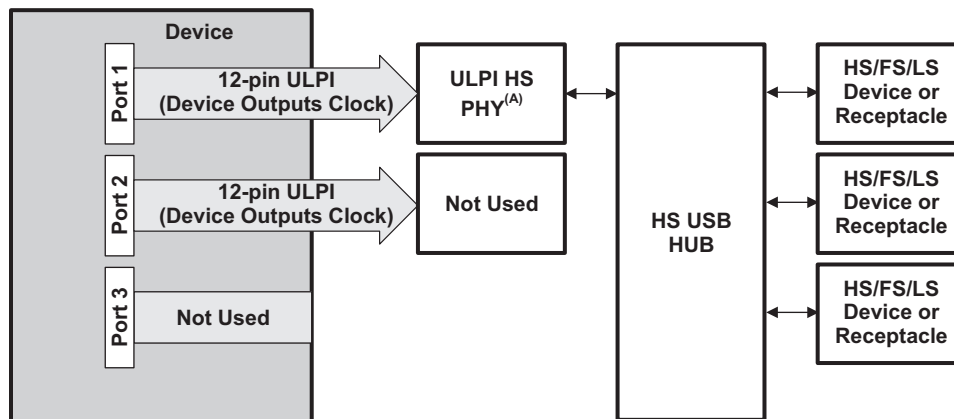
As shown in Figure 4, USB Port 1 and Port 2 can be used to connect to external high-speed PHYs which include a ULPI port. However, in this case, the external USB PHY must be able to accept a source clock generated by the high-speed USB controller. Also, in this usage model the USB ports cannot support full-speed and low-speed operation. Therefore, using this approach, USB Port 1 and Port 2 cannot provide a fully compliant USB 2.0 Type-A receptacle; a high-speed USB hub would be required in this case; please see Figure 5.

**Note:** USB Port 3 does not support ULPI mode.



A. USB port 3 does not support ULPI mode.

**Figure 4. Connecting to High-Speed PHYs Using USB Ports**



A. USB port 3 does not support ULPI mode.

**Figure 5. Connecting to a High-Speed USB Hub**