

LTE ROUTER

IGW/936-GL

Global 4G Version

- ✓ OpenVPN Client and Server
- ✓ Firewall with NAT Support
- ✓ Free Programmable
- ✓ Optional Node-RED Flow Editor
- ✓ DIN-rail Mounting



High-speed Wireless Application Gateway with LTE Router

The high-performance Application Gateway IGW/936-GL was developed to receive and read data from various sources like **TCP**, **UDP**, and more. The IGW/936-GL processes collected data and sends it via **LTE** with up to **150 Mbps** downstream and **50 Mbps** upstream – so it is able to handle applications with big data transfers easily.

The integrated **SSV/WebUI** framework allows passing data for diverse purposes to different end devices like PCs, smart-phones or tablets.

The SSV/WebUI uses only standard web technologies for the output like **HTTP(S)**, **HTML**, **CSS**, **JavaScript** and **REST**-based web services. As a result, every professional web developer has the know-how to customize the web-based user interface for his individual requirements within shortest time.

Visualization & IoT

The IGW/936-GL is equipped with all necessary software to develop and operate own web-based visualizations: **Web server with SSL support**, **(S)FTP/TFTP** server and programming environments for **Python** and **PHP**.

Optional the IGW/936-GL can be delivered with the preinstalled Node-RED flow editor to create IoT applications. Node-RED is a visual tool for wiring together hardware, APIs and online services.

The browser-based flow editor makes it easy to wire together flows by using standard nodes. The IGW/936-GL also provides special SSV nodes: the **Smart Connection Nodes**. Completed flows can be then deployed to the runtime with a single click.

Safety & Security

To ensure a high level of safety and security, the IGW/936-GL contains a **Firewall**, **SSH**, **OpenVPN**, and **OpenSSL** (incl. SSL/TLS).

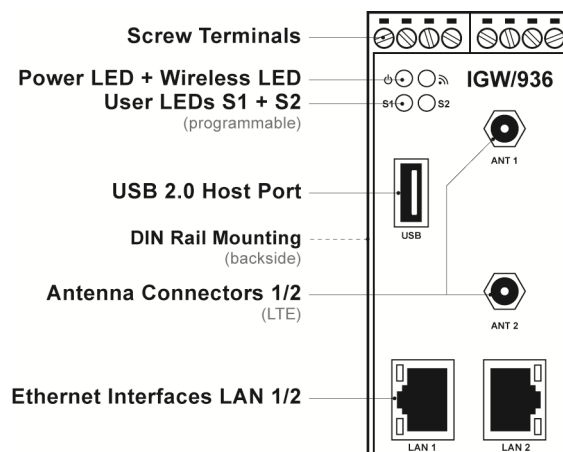
For a fast and simple integration of the IGW/936-GL into existing network environments, it also offers **AutoIP** and **UPnP**.

All software features of the IGW/936-GL can be easily configured over the **SSV/WebUI** tool with a standard web browser.

SPECIFICATIONS

Processor	
Manufacturer / Type	Texas Instruments AM3517 32-bit ARM Cortex-A8 SoC
Clock speed	600 MHz
Memory	
RAM	256 MB SDRAM
Flash	1 GB NAND memory, 8 MB NOR memory
Storage media	1x internal microSD card holder
Interfaces	
Ethernet	1x 10/100/1000 Mbps with Auto MDI-X (LAN 2, RJ45) 1x 10/100 Mbps (LAN 1, RJ45)
USB	1x USB 2.0 Host
Serial I/Os	1x RS485 serial port (screw terminal) 1x RS232/RS485 serial port (screw terminal)
Antenna	2x SMA female (bulkhead) connector

OVERVIEW



Special Functions

RTC	1x Real Time Clock
Watchdog	1x Timer watchdog (hardware-based, software-configurable) 1x Power supervisor (hardware-based)
SIM card	1x Mini-SIM card holder (accessible from the outside)

Wireless Module

Mobile radio standards	GSM/UMTS/HSPA+/LTE
Transfer rates	150 Mbps peak download, 50 Mbps peak upload
Frequency bands	LTE FDD: B1, B2, B3, B4, B5, B7, B8, B12, B13, B18, B19, B20, B25, B26, B28 LTE TDD: B38, B39, B40, B41 WCDMA: B1, B5, B8 GSM/GPRS quad-band 850/900/1800/1900 MHz
Authentication	PAP, CHAP, CHAT, none
Supported APNs	Telekom, Vodafone, O2, E-Plus, user-defined

Software

Operating system	Debian 10 Linux
Web server	lighttpd with SSL support
Programming environment	Python, PHP, Node.js, Bash
IP address assignment	Static, DHCP, AutoIP, UPnP
Protocol stack	ARP, ICMP, IP, TCP, UDP, SSH, FTP, HTTP, TFTP, Modbus TCP/RTU (server + client), MQTT
Security protocols	SSL/SSH, HTTPS, TLS 1.2, OpenVPN
TCP servers	SSH, (S)FTP, TFTP, HTTP
Firewall	netfilter + iptables
Proxy functions	HTTP(S), FTP, SSH, generic TCP port mapping
Configuration	SSV/WebUI
Internet of Things Tools	Node-RED + SSV Smart Connection Nodes (optional)
Miscellaneous	DynDNS support Firmware update over SSV/WebUI

Displays / Control Elements

LEDs	1x Power 1x Wireless 1x System status (programmable) 1x VPN status (programmable)
-------------	--

Electrical Characteristics

Power supply	12 .. 24 VDC from external power supply
Power consumption	< 15 W

Mechanical Characteristics

Protection class	IP20 industrial case for 35 mm DIN-rail mounting
Mass	< 270 g
Dimensions	112 mm x 100 mm x 45 mm
Operating temp.	0 .. 60 °C

Standards and Certifications

EMC	CE
Environmental standards	RoHS, WEEE

Order information

Order number	PX-87775
---------------------	----------

SCOPE OF DELIVERY

- 1x Application Gateway IGW/936-GL Global 4G Version
- 1x LTE/UMTS/GSM magnetic base antenna with 3 m cable

STARTUP PACKAGE (OPTIONAL)

- 1x Plug-in power supply
- 1x CD-ROM

PRODUCT VARIANTS

- Customized variants with preinstalled configuration and/or individual case design on request.

SIMILAR PRODUCTS

- VPN Remote Access Gateway IGW/922 G, IGW/922 U
- VPN Remote Access Gateway IGW/925 G, IGW/925 U
- Web Application Gateway IGW/935

COMPATIBLE PRODUCTS

- A/D-Extension IO/5640

CONTACT INFORMATION

SSV SOFTWARE SYSTEMS
Dünenweg 5
30419 Hannover · Germany

Fon: +49(0)511 · 40 000-0
Fax: +49(0)511 · 40 000-40
Mail: sales@ssv-embedded.de
Web: www.ssv-embedded.de