

REMOTE ACCESS GATEWAY IGW/936

- ✓ OpenVPN Client and Server
- ✓ Firewall with NAT Support
- ✓ Free Programmable
- ✓ Optional Node-RED Flow Editor
- ✓ 12 .. 24 VDC Power Supply
- ✓ DIN-rail Mounting



The high performance Remote Access Gateway IGW/936 was developed to receive and read data from various sources like **TCP**, **UDP**, and more. By means of the integrated **SSV/WebUI** framework, it is possible to pass data for diverse purposes to very different end devices like PCs, smartphones or tablets.

The SSV/WebUI uses only standard web technologies for the output like **HTTP(S)**, **HTML**, **CSS**, **JavaScript** and **REST**-based web services. As a result, every professional web developer has the know-how to customize the web-based user interface for his individual requirements within shortest time.

Visualization & IoT

The IGW/936 is equipped with all necessary software to develop and operate own web-based visualizations: **Web server with SSL** support, **(S)FTP/TFTP** server and programming environments for **Python** and **PHP**.

Optional the IGW/936 can be delivered with the preinstalled **Node-RED** flow editor to create **IoT applications**. Node-RED is a visual tool for wiring together hardware, APIs and online services.

The browser-based flow editor makes it easy to wire together flows by using standard nodes. The IGW/936 also provides special SSV nodes: the **Smart Connection Nodes**. Completed flows can be then deployed to the runtime with a single click.

Safety & Security

To ensure a high level of safety and security, the IGW/936 contains a **Firewall**, **SSH**, **OpenVPN**, and **OpenSSL** (incl. SSL/TLS).

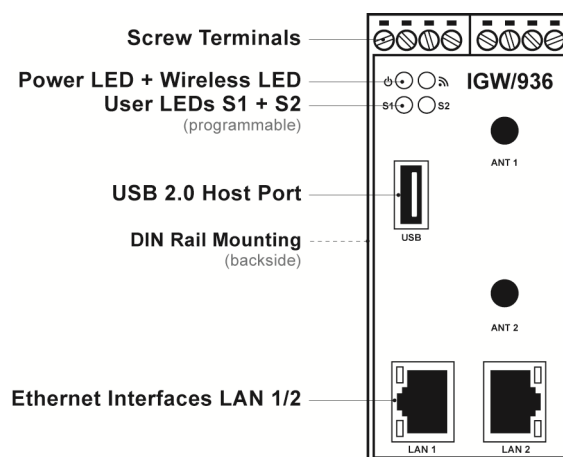
For a fast and simple integration of the IGW/936 into existing network environments, it also offers **AutoIP** and **UPnP**.

All software features of the IGW/936 can be easily configured over the **SSV/WebUI** tool with a standard web browser.

SPECIFICATIONS

Processor	
Manufacturer / Type	Texas Instruments AM3517 32-bit ARM Cortex-A8 SoC
Clock speed	600 MHz
Memory	
RAM	256 MB SDRAM
Flash	1 GB NAND memory, 8 MB NOR memory
Storage media	1x internal microSD card holder
Interfaces	
Ethernet	1x 10/100/1000 Mbps with Auto MDI-X (LAN 2, RJ45) 1x 10/100 Mbps (LAN 1, RJ45)
USB	1x USB 2.0 Host
Serial I/Os	1x RS485 serial port (screw terminal) 1x RS232/RS485 serial port (screw terminal)
Special Functions	
RTC	1x Real Time Clock
Watchdog	1x Timer watchdog (hardware-based, software-configurable) 1x Power supervisor (hardware-based)

OVERVIEW



Software	
Operating system	Debian 10 Linux
Web server	lighttpd with SSL support
Programming environment	Python, PHP, Node.js, Bash
IP address assignment	Static, DHCP, AutoIP, UPnP
Protocol stack	ARP, ICMP, IP, TCP, UDP, SSH, FTP, HTTP, TFTP, Modbus TCP/RTU (server + client), MQTT
Security protocols	SSL/SSH, HTTPS, TLS 1.2, OpenVPN
TCP servers	SSH, (S)FTP, TFTP, HTTP
Firewall	netfilter + iptables
Proxy functions	HTTP(S), FTP, SSH, generic TCP port mapping
Configuration	SSV/WebUI
Internet of Things Tools	Node-RED + SSV Smart Connection Nodes (optional)
Miscellaneous	DynDNS support Firmware update over SSV/WebUI
Displays / Control Elements	
LEDs	1x Power 1x Wireless 1x System status (programmable) 1x VPN status (programmable)
Electrical Characteristics	
Power supply	12 .. 24 VDC from external power supply
Power consumption	< 15 W
Mechanical Characteristics	
Protection class	IP20 industrial case for 35 mm DIN-rail mounting
Mass	< 270 g
Dimensions	112 mm x 100 mm x 45 mm
Operating temp.	0 .. 60 °C
Standards and Certifications	
EMC	CE
Environmental standards	RoHS, WEEE
Order information	
Order number	PX-87792

SCOPE OF DELIVERY

- 1x Application Gateway IGW/936

STARTUP PACKAGE (OPTIONAL)

- 1x Plug-in power supply
- 1x CD-ROM

PRODUCT VARIANTS

- Customized variants with preinstalled configuration and/or individual case design on request.

SIMILAR PRODUCTS

- Wireless Application Gateway IGW/936-L
- VPN Remote Access Gateway IGW/922
- VPN Remote Access Gateway IGW/925
- Web Application Gateway IGW/935

COMPATIBLE PRODUCTS

- A/D-Extension IO/5640

CONTACT INFORMATION

SSV SOFTWARE SYSTEMS
Dünenweg 5
30419 Hannover · Germany

Fon: +49(0)511 · 40 000-0
Fax: +49(0)511 · 40 000-40
Mail: sales@ssv-embedded.de
Web: www.ssv-embedded.de