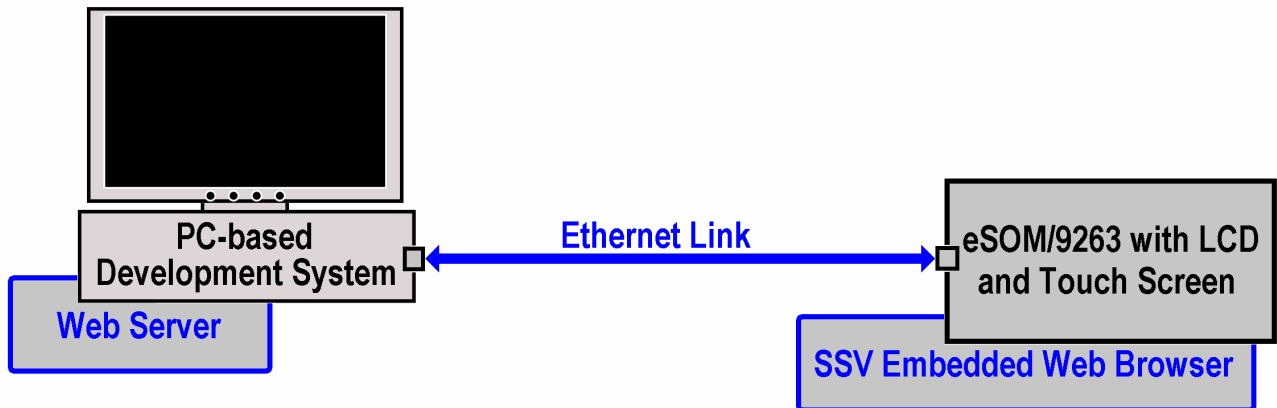


How to setup a development system for web-based user interfaces (UIs)

The best approach to develop web-based UIs for eSOM/9263 HMI applications is to use a PC with an own web server as a development system. This allows you to create and edit all HTML, CSS, JavaScript, and graphic files directly on the local PC disk drive space. For target debugging of the web-based UI just access these files over an Ethernet link¹ with the eSOM/9263 embedded web browser (see also *mHT9263-09.pdf: How to start and stop the eSOM/9263 embedded web browser*).



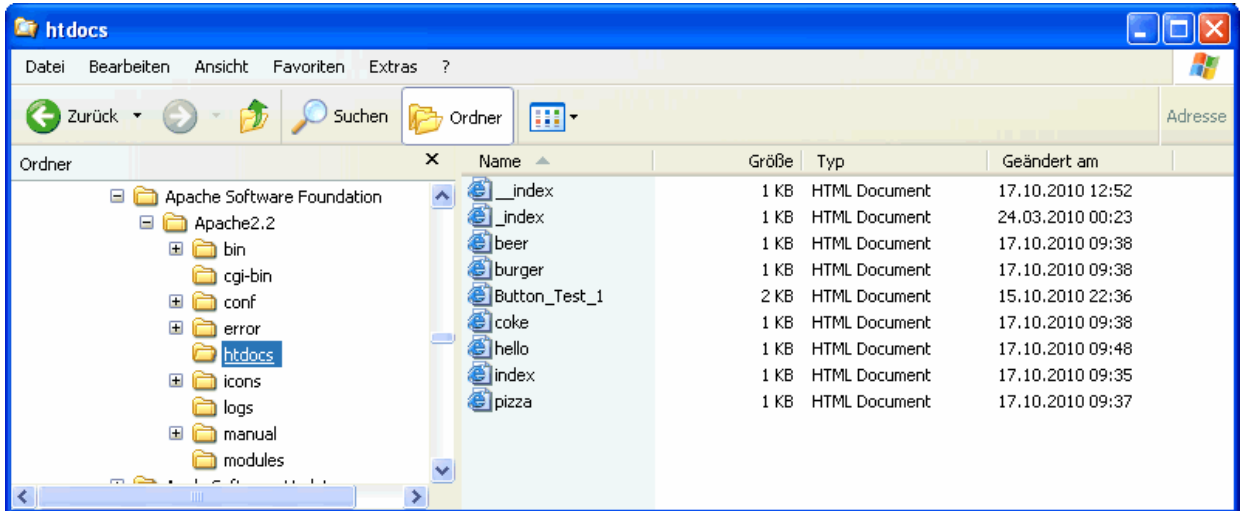
After finishing the UI development simply copy all HTML, CSS, JavaScript, and graphic files from the PC web server document root directory to the eSOM/9263 web server file space (please see the directory `/usr/local/webgui/eSOM9263/www-int` of the eSOM/9263 SD card files system).

- **1. Step:** Make sure that your PC is equipped with a web server. For Windows PCs please download and install a copy of the Apache web server from www.apache.org:

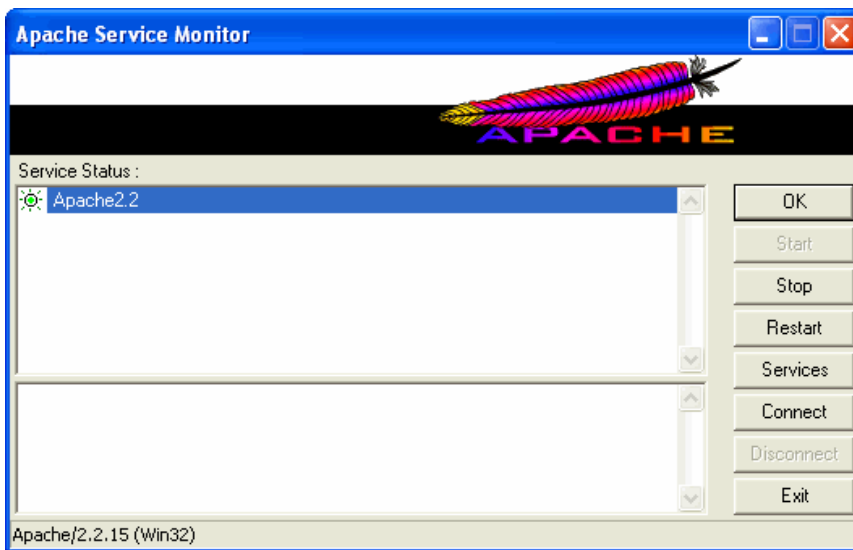


¹ If your Ethernet link uses a LAN cross-over cable connection, please booting your PC O/S first and then power-up your eSOM/9263.

The Apache web server installation creates some new directories on your PC. Very important is the *Apache DocumentRoot* (example for a typical Windows PC system: *C:/Programme/Apache Software Foundation/Apache2.2/htdocs*). By default, all web browser requests are taken from this directory.

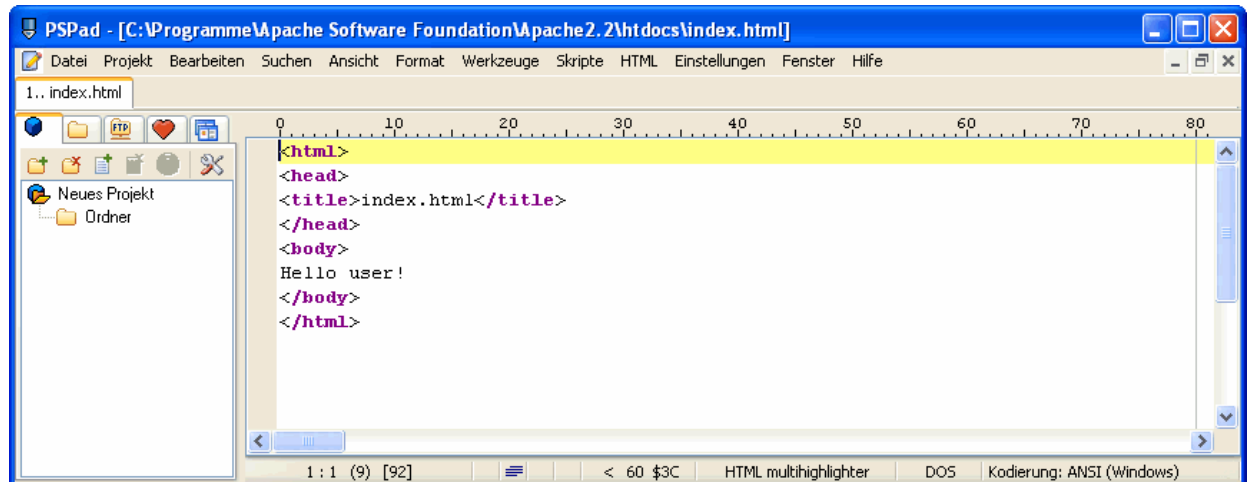


- **2. Step:** Run the Apache web server on your PC. Use the *Apache Service Monitor* to control this web server.



- **3. Step:** Create a new text file with the name *index.html* and the following HTML text lines within the *Apache DocumentRoot* directory of your PC:

```
<html>
<head>
<title>index.html</title>
</head>
<body>
Hello user!
</body>
</html>
```



- **4. Step:** Use the preinstalled *web-browser.sh* shell script of the eSOM/9263 Linux and restart the embedded web browser to access *index.html* of the Apache web server document root directory on your PC. To do this, please execute the following eSOM/9263 Linux command line:

```
/etc/init.d/web-browser.sh restart http://192.168.0.1
```

See also *mHT9263-09.pdf: How to start and stop the eSOM/9263 embedded web browser* for more details.

The *web-browser.sh* command line in this example assumes that the IP address of the development PC is **192.168.0.1**. Replace this address parameter if necessary.

That's all.